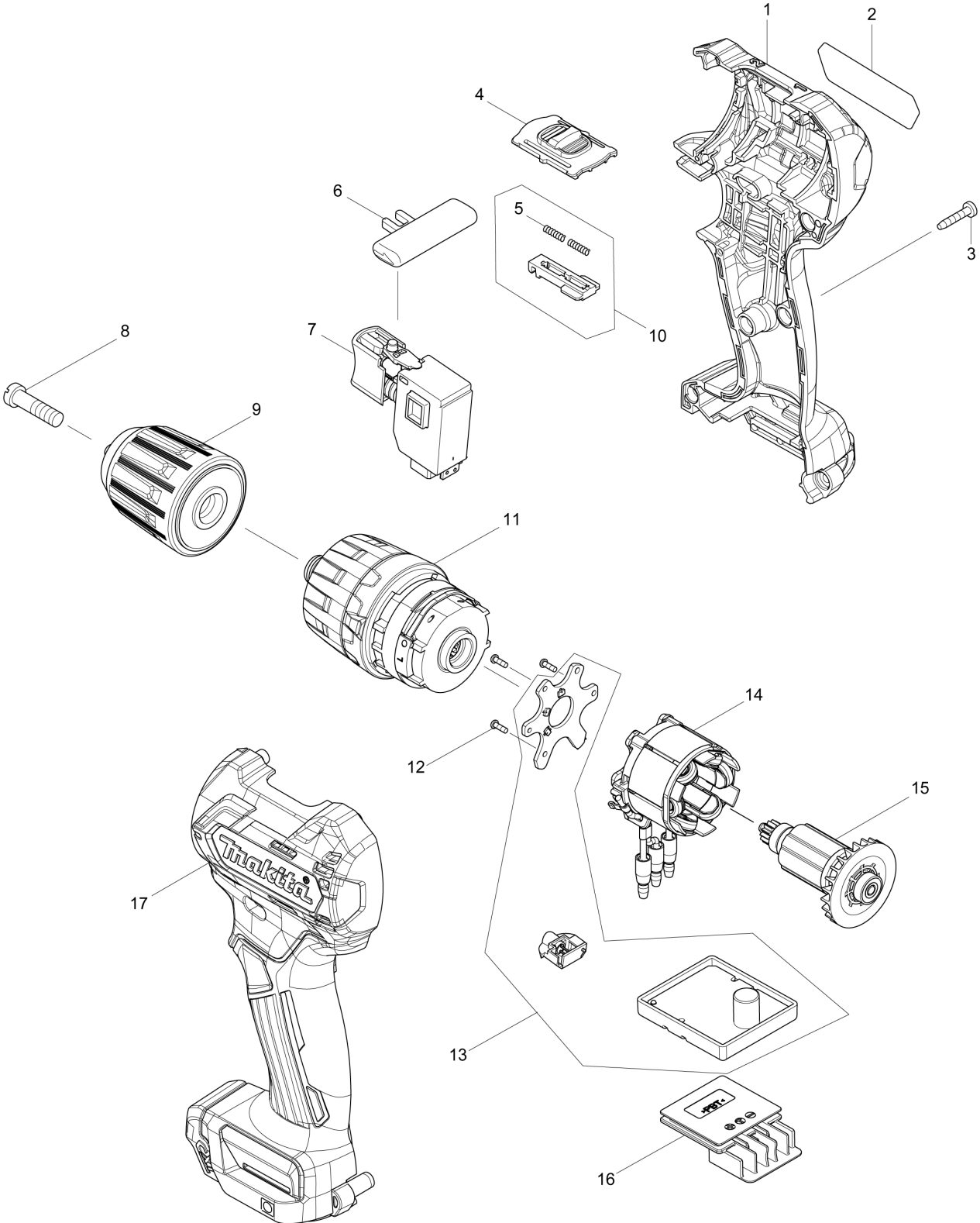


(VN) HP332D / CORDLESS HAMMER DRIVER DRILL



<b>VN</b>	<b>VIETNAM</b>
-----------	----------------

### HP332D / CORDLESS HAMMER DRIVER DRILL

Item	Sub	Parts No.	Parts Description	Qty	I/C	E/C No.	Close No.	Remark
001		183C34-7	HOUSING SET	1				
	D10		INC. 17					
002		851T70-0	HP332D NAME PLATE	1			Y07746	
002-1		851T69-5	HP332D NAME PLATE	1	<	Y07746		
003		266429-2	TAPPING SCREW 3X16	8				
004		456532-9	SPEED CHANGE LEVER	1				
005		233025-1	COMPRESSION SPRING 2	2				
006		419041-9	F/R CHANGE LEVER	1				
007		650689-0	SWITCH C3JW-2B	1				
008		251468-5	- FLAT HEAD SCREW M6X22	1				
009		763238-5	KEYLESS DRILL CHUCK 10	1				
010		123587-6	CHANGE LEVER ASS'Y	1				
	D10		INC. 5					
011		123548-6	GEAR ASSEMBLY	1			B2578	
011-1		123761-6	GEAR ASSEMBLY	1	O	B2578	B4380	
011-2		123867-0	GEAR ASSEMBLY	1	O	B4380	D7899	
011-3		123867-0	GEAR ASSEMBLY	1	O	D7899		
012		266490-9	TAPPING SCREW PT 2X6	3				
013		620487-6	CONTROLLER	1			B2645	
013-1		620487-6	CONTROLLER	1	O	B2645	D1154	
	C10	620553-9	LED CIRCUIT	1		B2645	D1154	
013-2		620B33-7	CONTROLLER	1	<	D1154		
	C10	620553-9	LED CIRCUIT	1		D1154		
014		629178-6	STATOR	1				
015		619393-0	ROTOR	1			B5873	
015-1		619410-6	ROTOR	1	O	B5873	D0256	
015-2		619410-6	ROTOR	1	O	D0256		
016		644813-5	TERMINAL	1				
017		183C34-7	HOUSING SET	1				
	D10		INC. 1					
A01		251314-2	+ SCREW M4X12	1				
A02		346909-5	HOOK	1				
A03		784202-3	PHILLIPS BIT 2-45	1				
A04B		456128-6	BATTERY COVER	1				
A04C		456128-6	BATTERY COVER	1				
A05B		***DC10SB	DC10SB BATTERY CHARGER	1				
	D10		COMPO-PARTS					
A05C		***DC10SB	DC10SB BATTERY CHARGER	1				
	D10		COMPO-PARTS					
A06B		197393-5	BATTERY BL1016 SET	2				
A06C		197396-9	BATTERY BL1021B SET	2			C5226	
A06-1C		197396-9	BATTERY BL1021B SET	2	O	C5226		
A07B		821661-1	PLASTIC CARRYING CASE	1				
	C10	417724-5	LATCH	2				
A07C		821661-1	PLASTIC CARRYING CASE	1				
	C10	417724-5	LATCH	2				
E01		163400-6	HANDSTRAP	1		DB968		

B:HP332DSYE(H)  
C:HP332DSAE(H)

Interchange  
O : Yes  
X : No  
< : the new part can be substituted for the current.  
> : the current part can be substituted for the new.  
S : Interchangeable as a set.